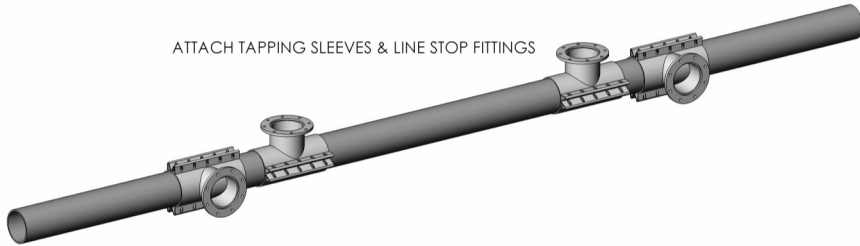


BYPASS WITH LINESTOPS & HOTTAPS

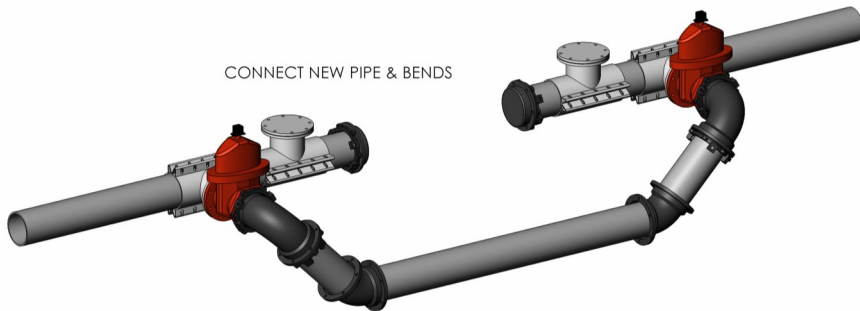
ATTACH TAPPING SLEEVES & LINE STOP FITTINGS



PERFORM HOT TAPS & LINE STOPS.
REMOVE THE EXISTING DOWNSTREAM PIPE.
CUT & CAP.
REMOVE LINE STOP EQUIPMENT.

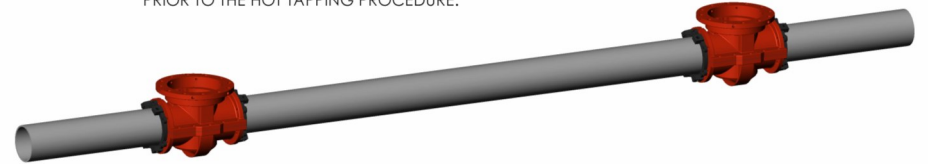


CONNECT NEW PIPE & BENDS

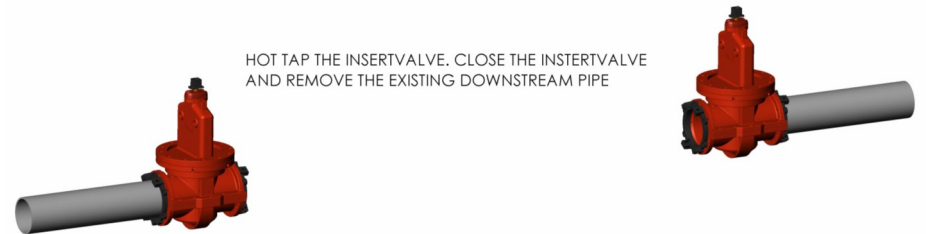


INSERTVALVE™ PIPE RELOCATION

ATTACH INSERTVALVE BODIES W/ PIPE RESTRAINTS AT THE DETERMINED LOCATION
PRIOR TO THE HOT TAPPING PROCEDURE.



HOT TAP THE INSERTVALVE. CLOSE THE INSERTVALVE
AND REMOVE THE EXISTING DOWNSTREAM PIPE



CONNECT NEW PIPE AND BENDS



ADVANTAGES OF TEAM INSERTVALVE™ IN A LOOPED SYSTEM

- No dead ends
- No 90° bends
- Maintains pipe integrity
- No flanges - All MJ fittings
- Better flow characteristics
- A real valve, inserted under full line pressure
- Smaller trench - Single excavation
- Best practice for future line locating/pigging
- Valves are in line with pipe
- No old infrastructure
- No unnecessary fittings
- Ductile material not fabricated material